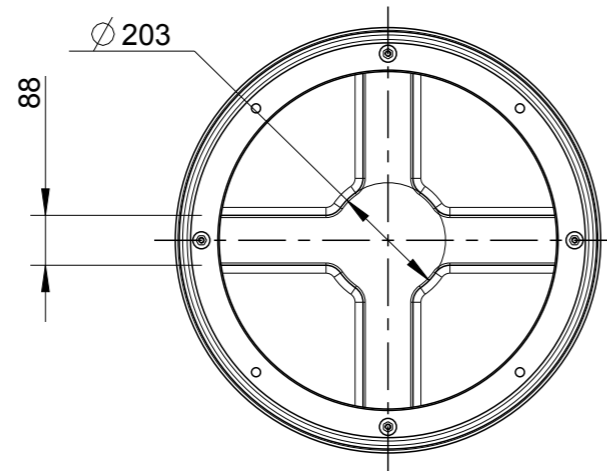
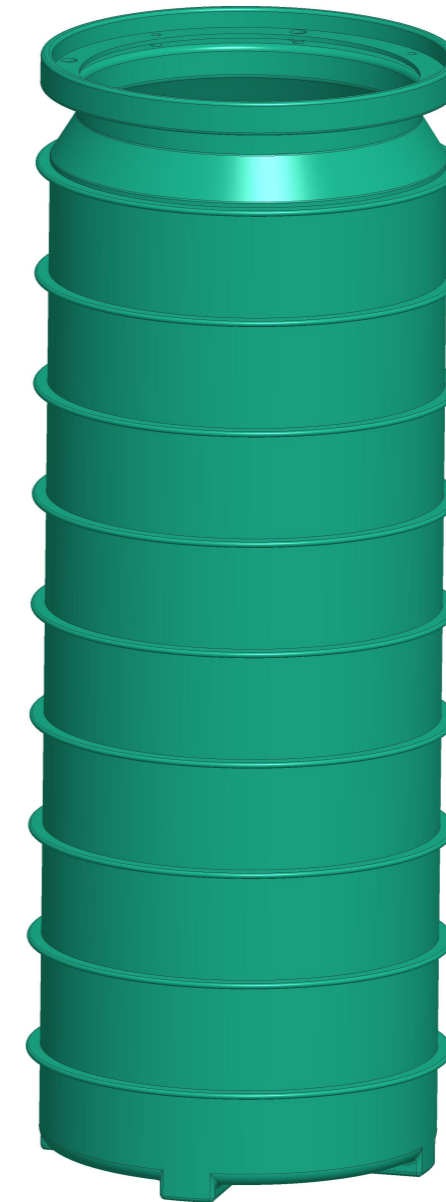
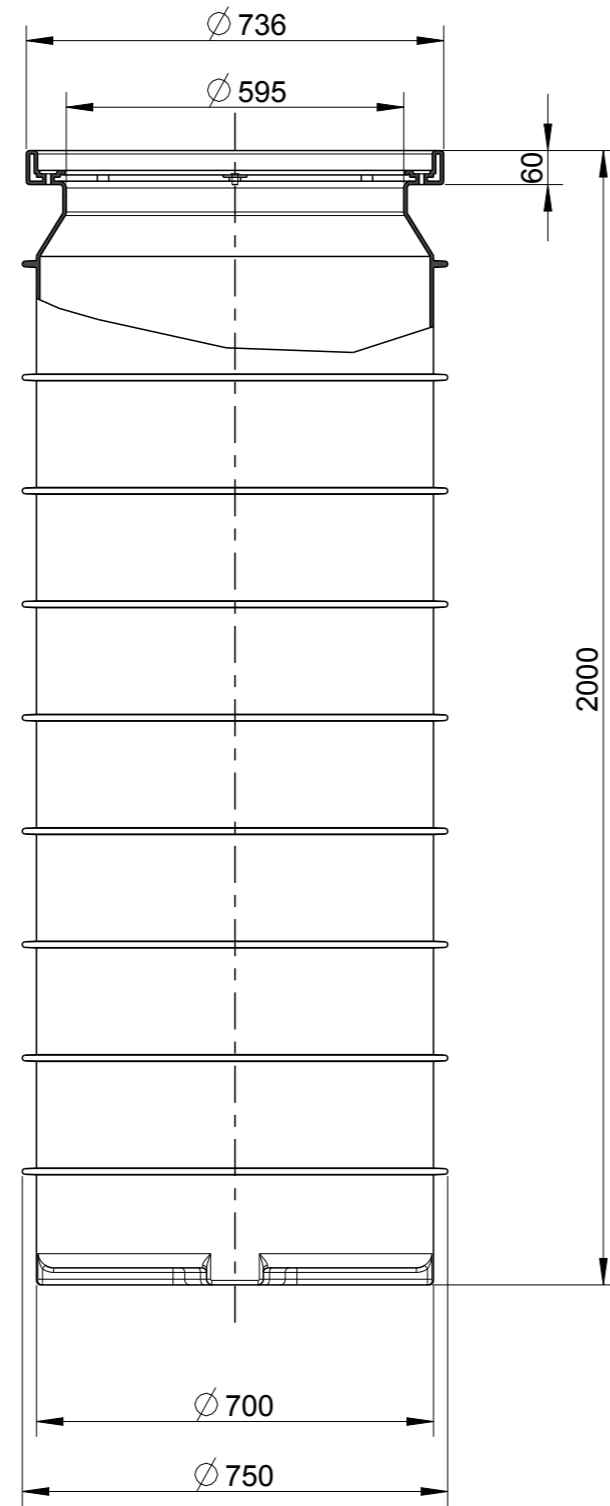


- Notes:
1. Material: .....
  2. General .....
  3. Colour: .....
  4. Symmetry may be assumed
  5. Weight:.....kgs
  6. All dimensions in mm

004		
003		
002		
001		
000	Initial Drawing	00/00/00
Rev.	Description	Date

	JFC Manufacturing Co. Ltd.				
	Description:				
Pump Station 700		Date: Sep-19-13	Drawn by: Lukasz Turski	Sheet: 1 of 2	Part Number: P-700-PS_ASMBL
Scale: Not To Scale		Approved by: ---		Drw. Rev: 000	Drawing Number: P-700-PS
<small>This document and its informational content are strictly confidential and are the sole property of JFC Manufacturing Co. Ltd. and may not be copied or reproduced in any form, without prior written consent of JFC Manufacturing Co. Ltd.</small>					



- Notes:
1. Material: .....
  2. General .....
  3. Colour: .....
  4. Symmetry may be assumed
  5. Weight:.....kgs
  6. All dimensions in mm

Rev.	Description	Date
004		
003		
002		
001		
000	Initial Drawing	00/00/00

	JFC Manufacturing Co. Ltd.				
	Description:				
Pump Station 700		Date: Sep-19-13	Drawn by: G.Noone	Sheet: 2 of 2	Part Number: P-700-PS
Scale: Not To Scale		Approved by: ---		Drw. Rev: 000	Drawing Number: P-700-PS
<small>This document and its informational content are strictly confidential and are the sole property of JFC Manufacturing Co. Ltd. and may not be copied or reproduced in any form, without prior written consent of JFC Manufacturing Co. Ltd.</small>					