

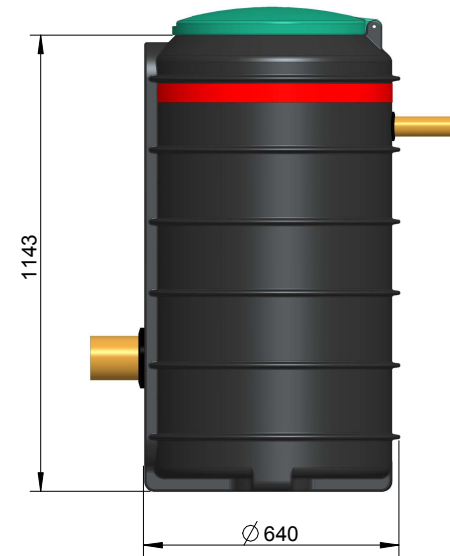
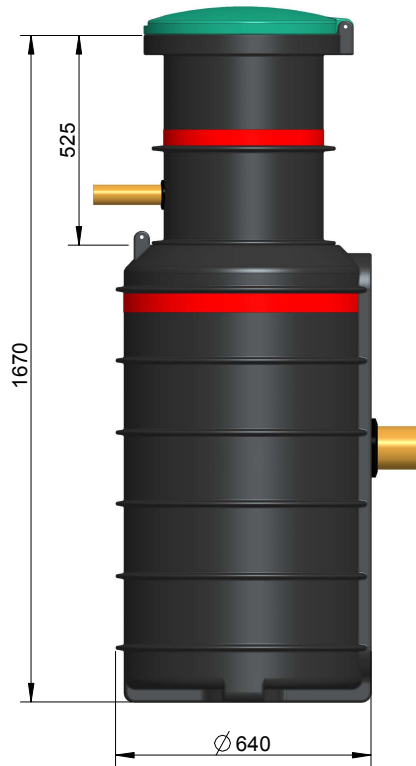
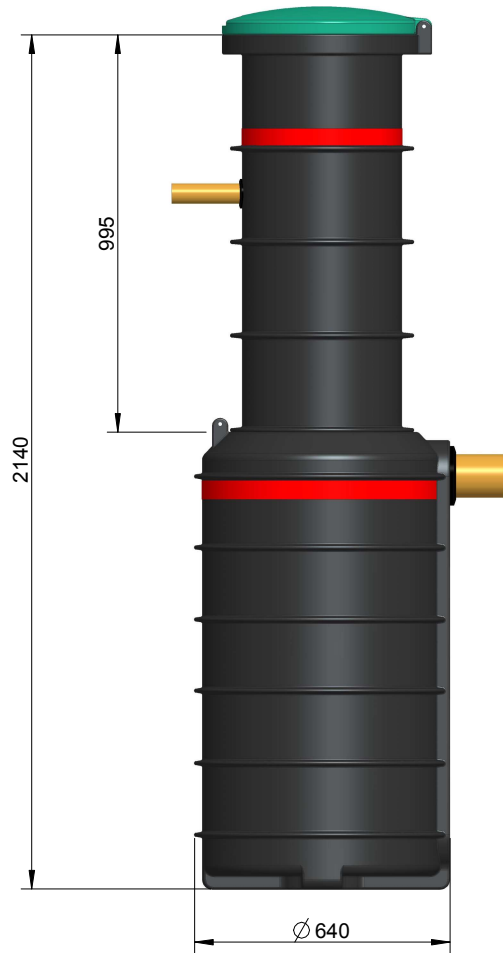
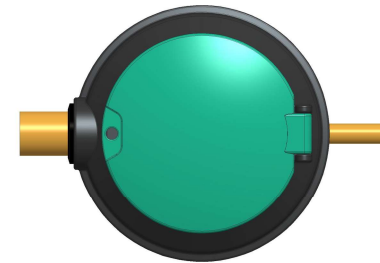
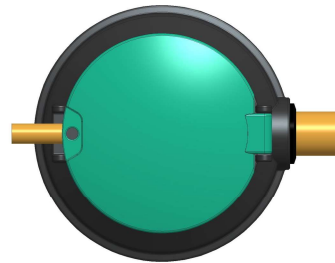
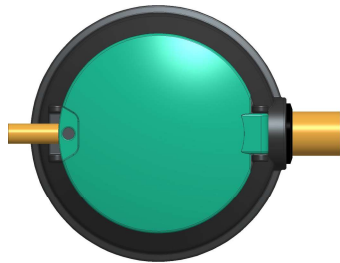


- Notes:
1. Material: .....
  2. General .....
  3. Colour: .....
  4. Symmetry may be assumed
  5. Weight:.....kgs
  6. All dimensions in mm

 <b>JFC Manufacturing Co. Ltd.</b>				
		Description:		
Date: Mar-01-13		Drawn by: Lukasz Turski	Sheet: 1 of 4	Part Number: PS300-FAMILY
Scale: Not To Scale		Approved by: ---	Drw. Rev: 000	Drawing Number: PS300-FAMILY
004				
003				
002				
001				
000	Initial Drawing	00/00/00		
Rev.	Description	Date	<small>This document and its informational content are strictly confidential and are the sole property of JFC Manufacturing Co. Ltd. and may not be copied or reproduced in any form, without prior written consent of JFC Manufacturing Co. Ltd.</small>	



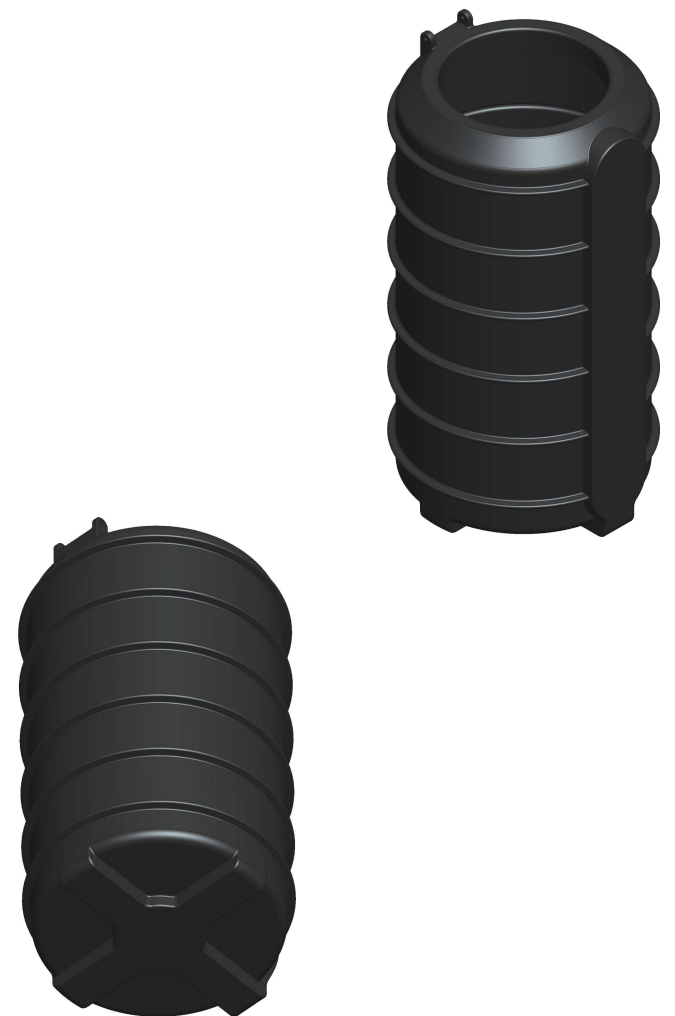
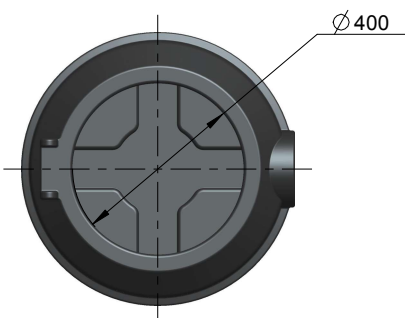
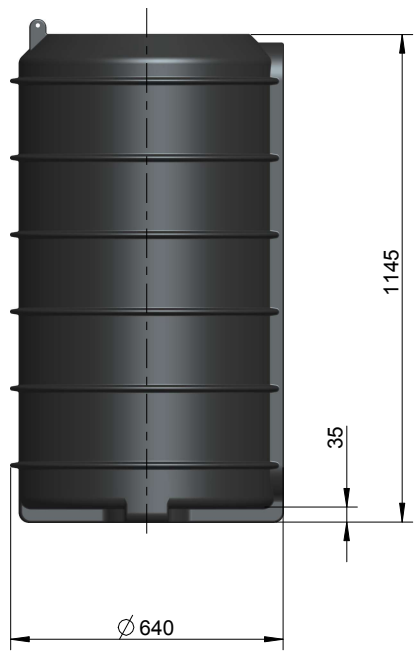
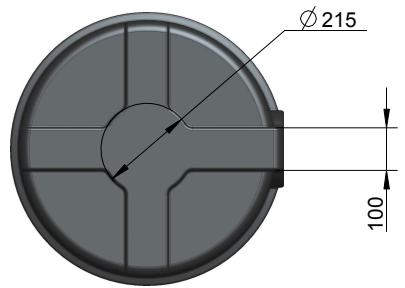
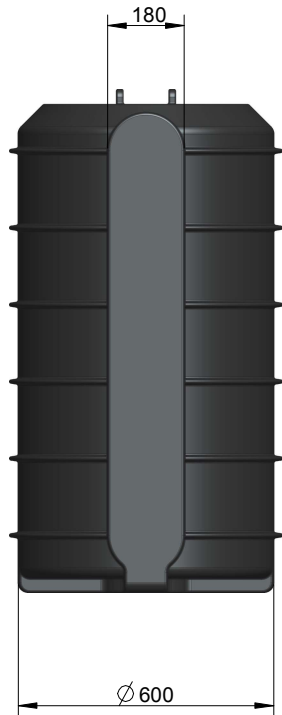
\*standard



- Notes:
1. Material: .....
  2. General .....
  3. Colour: .....
  4. Symmetry may be assumed
  5. Weight:.....kgs
  6. All dimensions in mm



004		
003		
002		
001		
000	Initial Drawing	00/00/00
Rev.	Description	Date

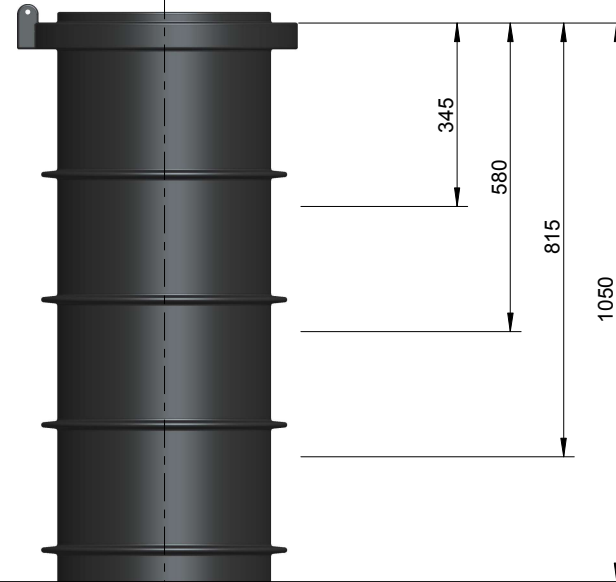
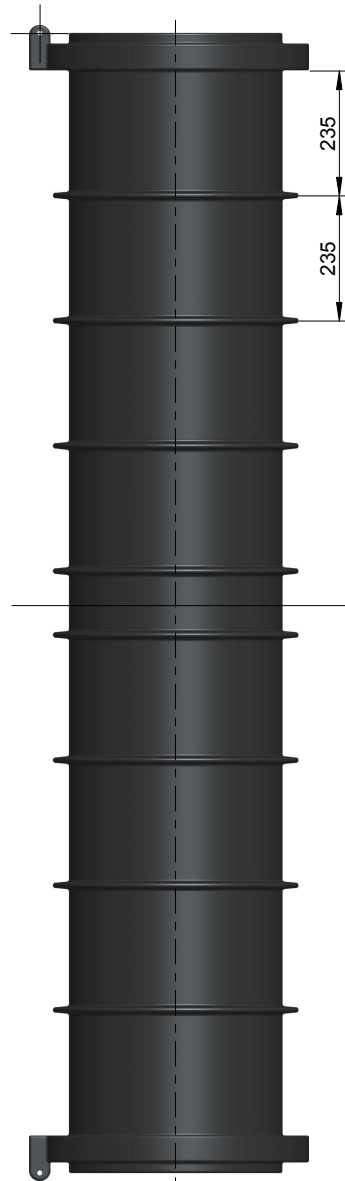
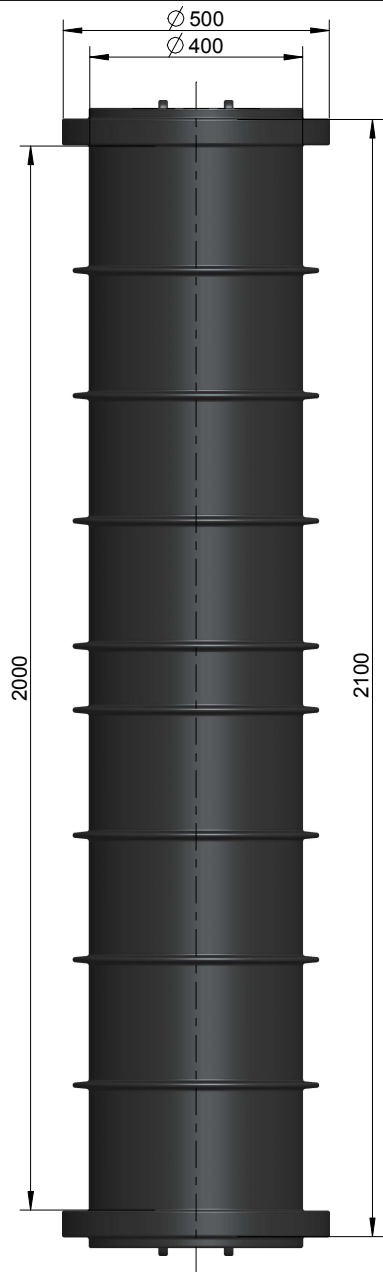
	JFC Manufacturing Co. Ltd.		
	Description: PS300		
Date: Mar-01-13	Drawn by: Lukasz Turski	Sheet: 2 of 4	Part Number: PS300-FAMILY
Scale: Not To Scale	Approved by: ---	Drw. Rev.: 000	Drawing Number: PS300-FAMILY
<small>This document and its informational content are strictly confidential and are the sole property of JFC Manufacturing Co. Ltd. and may not be copied or reproduced in any form, without prior written consent of JFC Manufacturing Co. Ltd.</small>			



- Notes:
1. Material: .....
  2. General .....
  3. Colour: .....
  4. Symmetry may be assumed
  5. Weight:.....kgs
  6. All dimensions in mm

004		
003		
002		
001		
000	Initial Drawing	00/00/00
Rev.	Description	Date

	JFC Manufacturing Co. Ltd.			
	Description: PS Tank 300 Itr			
Date: Apr-15-13	Drawn by: Lukasz Turski	Sheet: 3 of 4	Part Number: TANK_PS300	
Scale: Not To Scale	Approved by: ---	Drw. Rev.: 000	Drawing Number: PS300-FAMILY	
<small>This document and its informational content are strictly confidential and are the sole property of JFC Manufacturing Co. Ltd. and may not be copied or reproduced in any form, without prior written consent of JFC Manufacturing Co. Ltd.</small>				



PS150-R

2 x PS150-R

- Notes:
1. Material: .....
  2. General .....
  3. Colour: .....
  4. Symmetry may be assumed
  5. Weight:.....kgs
  6. All dimensions in mm

004				
003				
002				
001				
000	Initial Drawing	00/00/00		
Rev.	Description	Date		

<b>JFC</b>		JFC Manufacturing Co. Ltd.	
Date: Mar-01-13		Description: PS Riser 400 - Double	
Scale: Not To Scale		Sheet: 4 of 4	
Approved by: ---		Part Number: RISER_PS150_C2_REV002	
Drawing Number: PS300-FAMILY			

This document and its informational content are strictly confidential and are the sole property of JFC Manufacturing Co. Ltd. and may not be copied or reproduced in any form, without prior written consent of JFC Manufacturing Co. Ltd.