

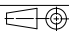
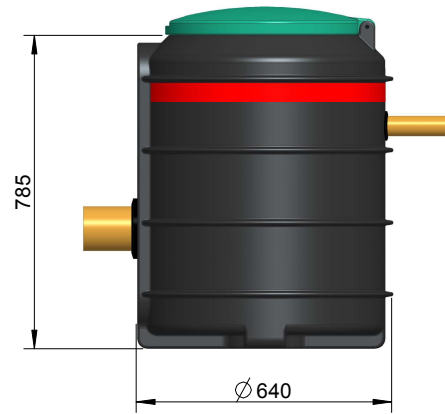
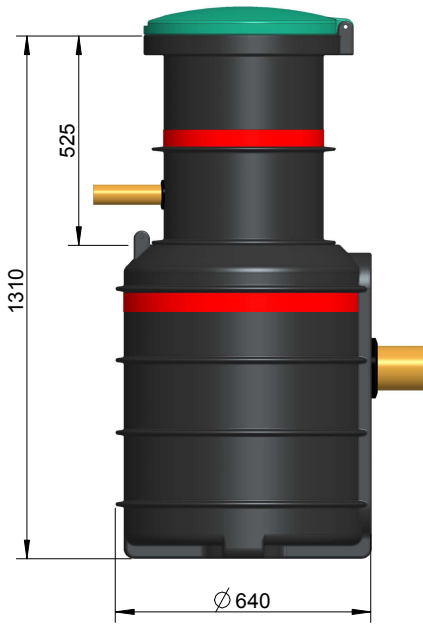
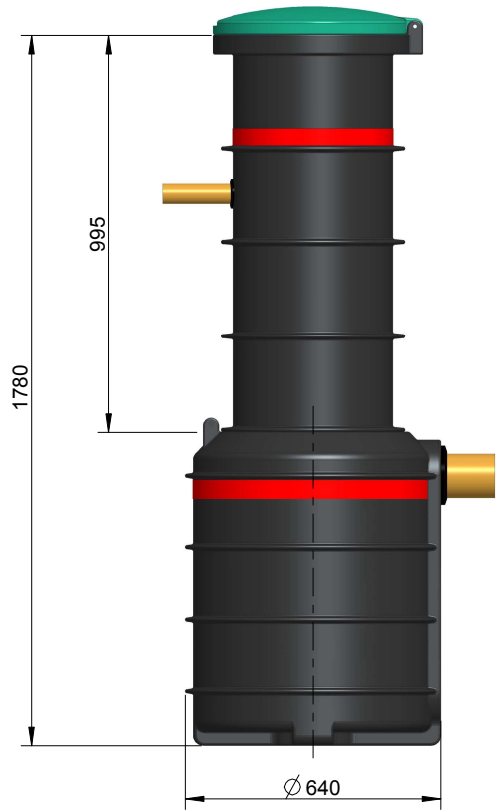
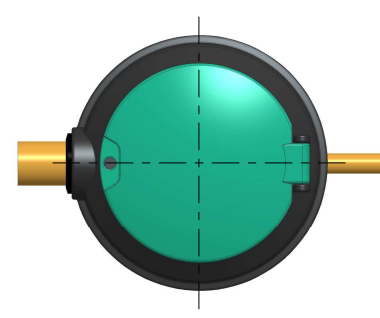
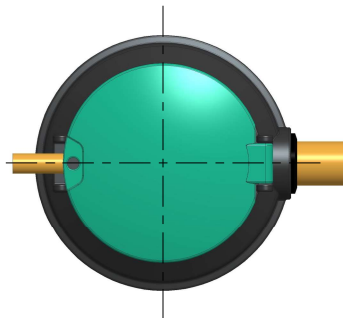
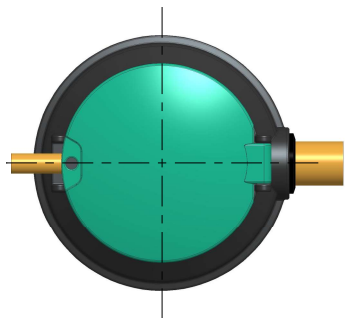


- Notes:
1. Material:
 2. General
 3. Colour:
 4. Symmetry may be assumed
 5. Weight:.....kgs
 6. All dimensions in mm

004						 JFC Manufacturing Co. Ltd. Description: Pump Station 150 - family			
003									
002						Date: Mar-01-13	Drawn by: Lukasz Turski	Sheet: 1 of 4	Part Number: PS150-FAMILY
001						Scale: Not To Scale	Approved by: ---	Drw. Rev: 000	Drawing Number: PS150-FAMILY
000		Initial Drawing		00/00/00		<small>This document and its informational content are strictly confidential and are the sole property of JFC Manufacturing Co. Ltd. and may not be copied or reproduced in any form, without prior written consent of JFC Manufacturing Co. Ltd.</small>			
Rev.	Description	Date							



*standard

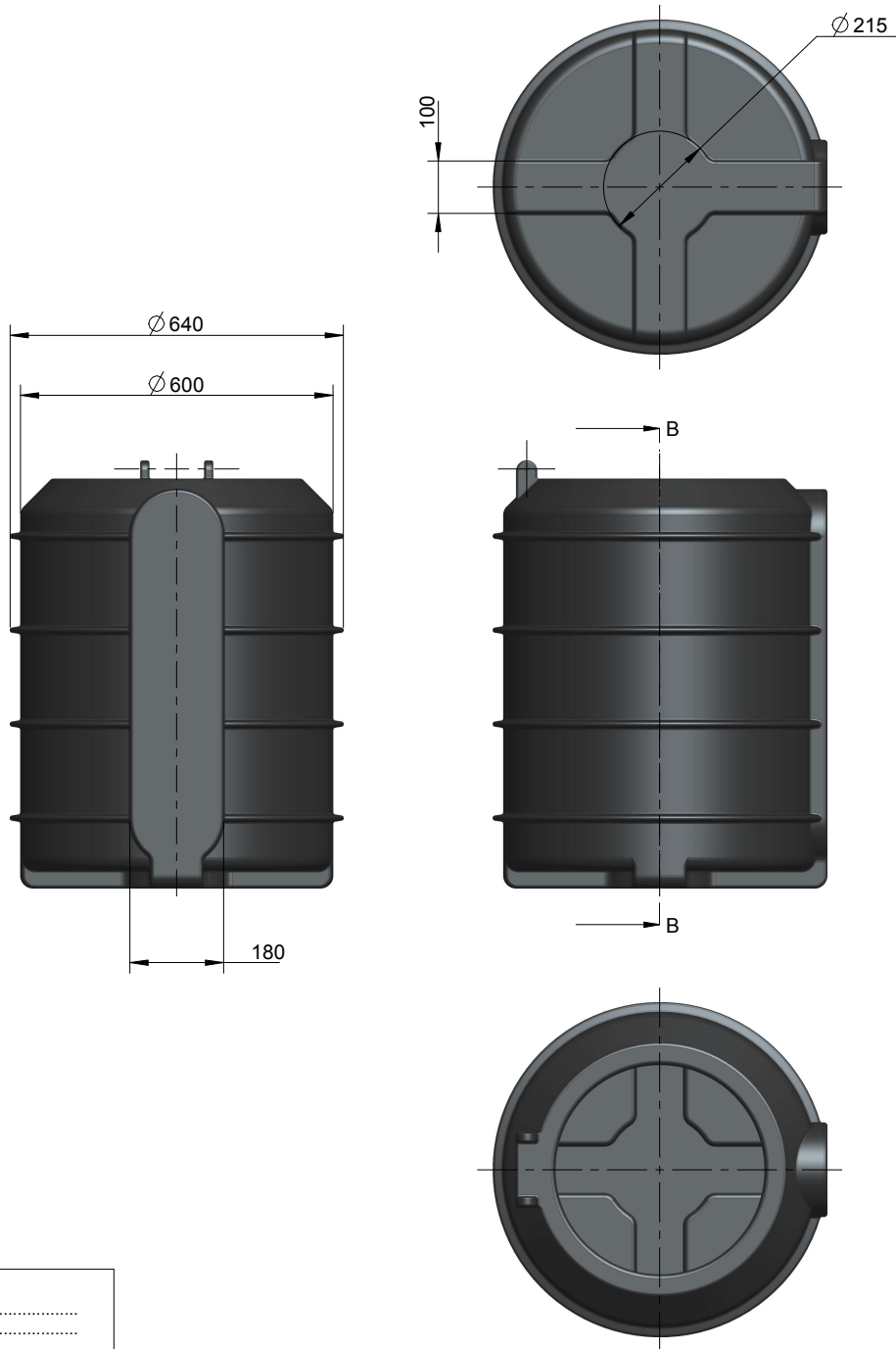


PS150

- Notes:
1. Material:
 2. General
 3. Colour:
 4. Symmetry may be assumed
 5. Weight:.....kgs
 6. All dimensions in mm

004		
003		
002		
001		
000	Initial Drawing	00/00/00
Rev.	Description	Date

	JFC Manufacturing Co. Ltd.		
	Description: PS150		
Date: Mar-01-13	Drawn by: Lukasz Turski	Sheet: 2 of 4	Part Number: PS150-FAMILY
Scale: Not To Scale	Approved by: ---	Drw. Rev.: 000	Drawing Number: PS150-FAMILY
<small>This document and its informational content are strictly confidential and are the sole property of JFC Manufacturing Co. Ltd. and may not be copied or reproduced in any form, without prior written consent of JFC Manufacturing Co. Ltd.</small>			



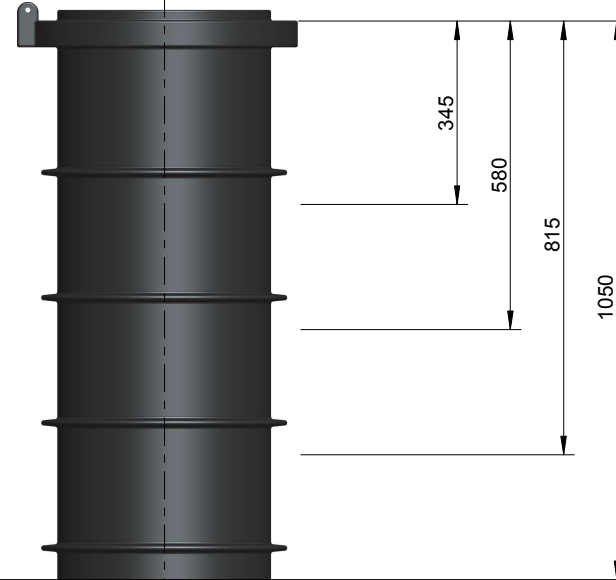
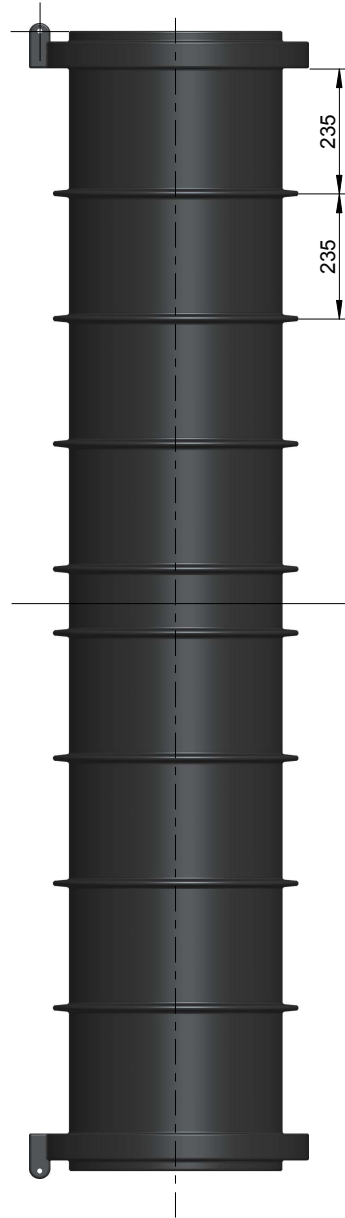
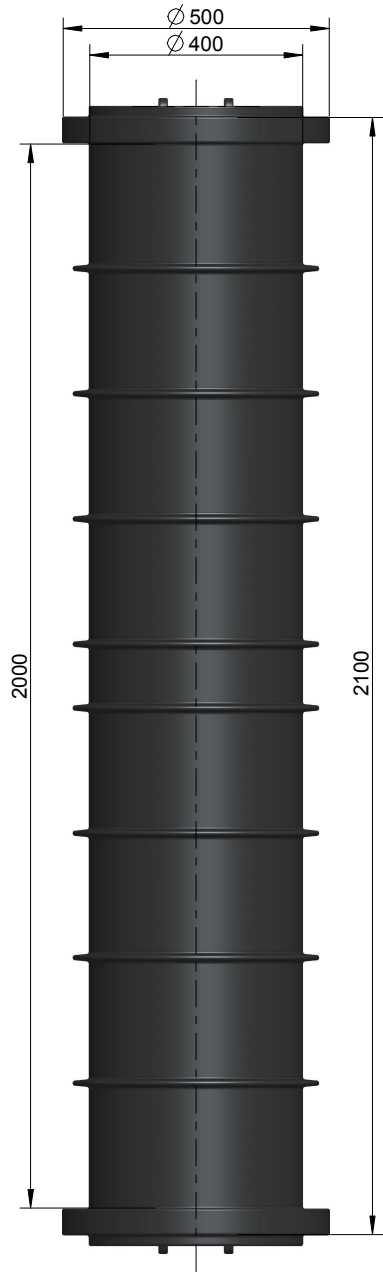
SECTION B-B

- Notes:
1. Material:
 2. General:
 3. Colour:
 4. Symmetry may be assumed
 5. Weight:.....kgs
 6. All dimensions in mm

004		
003		
002		
001		
000	Initial Drawing	00/00/00
Rev.	Description	Date

JFC		JFC Manufacturing Co. Ltd.	
Description:			
PS Tank 150 Ltr			
Date:	Drawn by:	Sheet:	Part Number:
Mar-01-13	Lukasz Turski	3 of 4	TANK3_PS150_REV002
Scale:	Approved by:	Drw. Rev.:	Drawing Number:
Not To Scale	---	000	PS150-FAMILY
<small>This document and its informational content are strictly confidential and are the sole property of JFC Manufacturing Co. Ltd. and may not be copied or reproduced in any form, without prior written consent of JFC Manufacturing Co. Ltd.</small>			





PS150-R

2 x PS150-R

- Notes:
1. Material:
 2. General
 3. Colour:
 4. Symmetry may be assumed
 5. Weight:.....kgs
 6. All dimensions in mm

004					
003					
002					
001					
000	Initial Drawing	00/00/00			
Rev.	Description	Date	Date	Drawn by:	Sheet:
			Mar-01-13	Lukasz Turski	4 of 4
			Not To Scale	---	000
					PS150-FAMILY



JFC Manufacturing Co. Ltd.

Description:
PS Riser 400 - Double



Date:	Drawn by:	Sheet:	Part Number:
Mar-01-13	Lukasz Turski	4 of 4	RISER_PS150_C2_REV002
Scale:	Approved by:	Drw. Rev.:	Drawing Number:
Not To Scale	---	000	PS150-FAMILY

This document and its informational content are strictly confidential and are the sole property of JFC Manufacturing Co. Ltd. and may not be copied or reproduced in any form, without prior written consent of JFC Manufacturing Co. Ltd.

